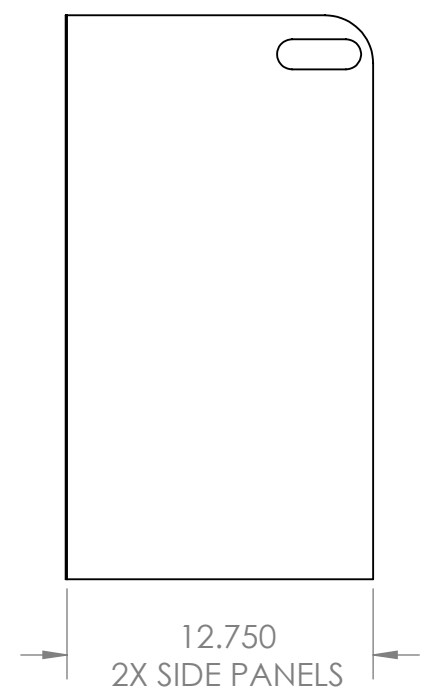
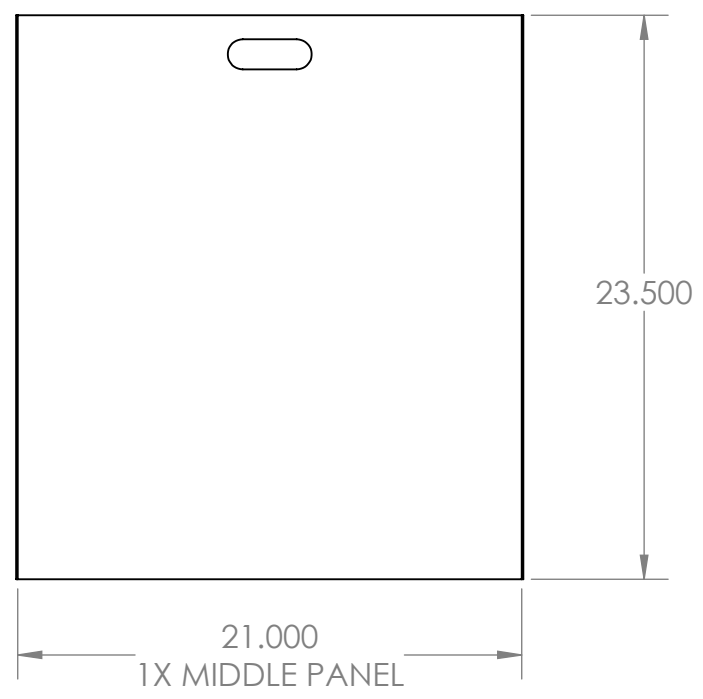
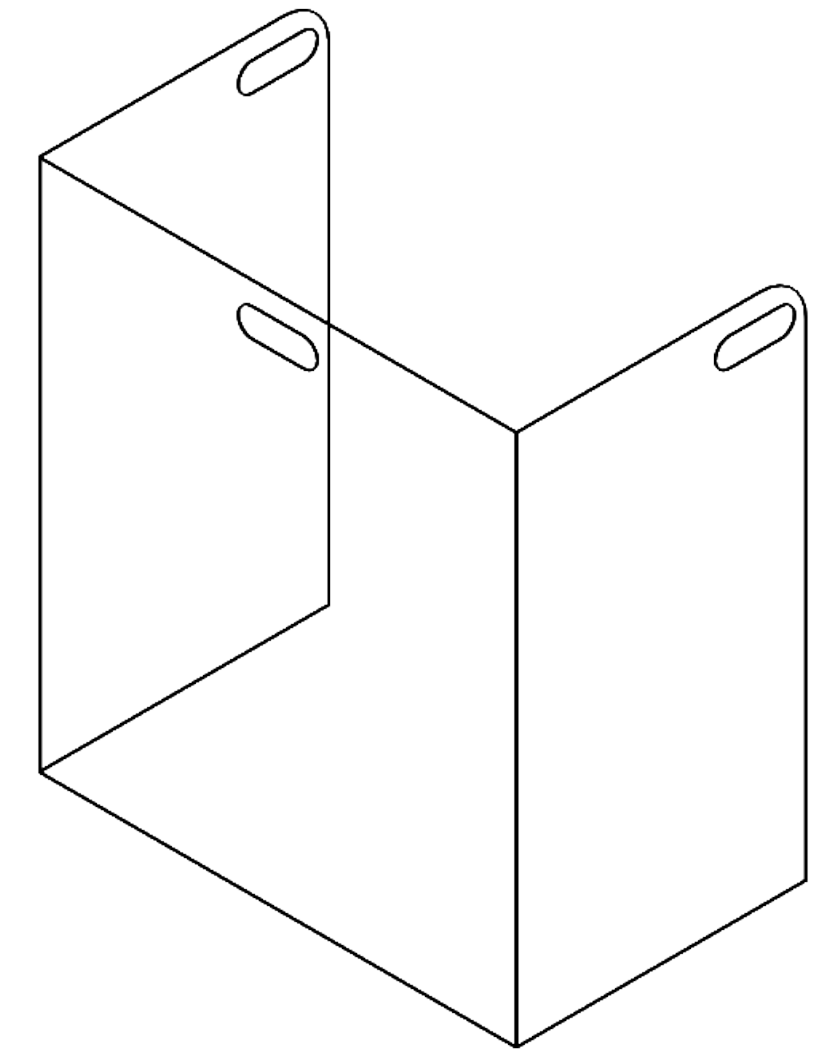
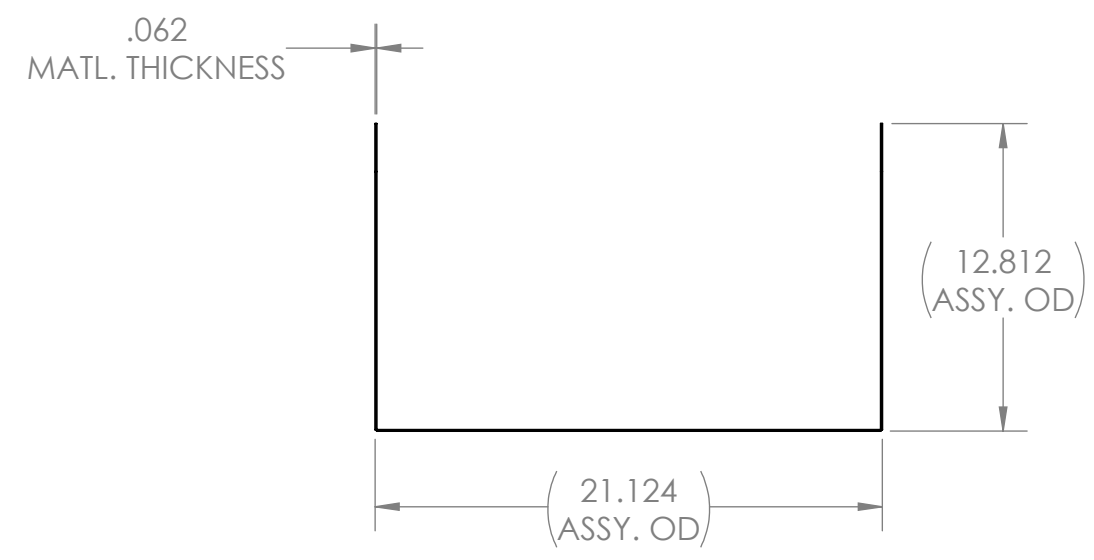



8 7 6 5 4 3 2 1

REVISIONS				
ZONE	REV.	DESCRIPTION	DATE	APPROVED



- NOTES:
- TAPE APPLIED TO SIDE PANEL & MIDDLE PANEL (2X) TO ACT AS HINGES.

PROPRIETARY AND CONFIDENTIAL
 THE INFORMATION CONTAINED IN THIS DRAWING IS THE SOLE PROPERTY OF BO-MER PLASTICS. ANY REPRODUCTION IN PART OR AS A WHOLE WITHOUT THE WRITTEN PERMISSION OF BO-MER PLASTICS IS PROHIBITED.

UNLESS OTHERWISE SPECIFIED:		NAME	DATE	 BO-MER PLASTICS 13 Pulaski St. Auburn, NY 13021 800-221-6563	
DIMENSIONS ARE IN INCHES		DRAWN	TJH		3/4/21
TOLERANCES:		CHECKED			
FRACTIONAL ± 1/16		ENG APPR.			
ANGULAR: MACH ± 2° BEND ± 5°		MFG APPR.			
TWO PLACE DECIMAL ± .03		Q.A.			
THREE PLACE DECIMAL ± .02		CUSTOMER:			
INTERPRET GEOMETRIC TOLERANCING PER: ASME Y14.5-1994		--			
MATERIAL		--			
FINISH		--			
NEXT ASSY	USED ON				
APPLICATION		DO NOT SCALE DRAWING			
DESCRIPTION:		DESK SHIELD ASSY			
SIZE	PART NO.	REV			
B	BM-DS01	A			
SCALE:	WEIGHT:	SHEET 1 OF 1			

8 7 6 5 4 3 2 1